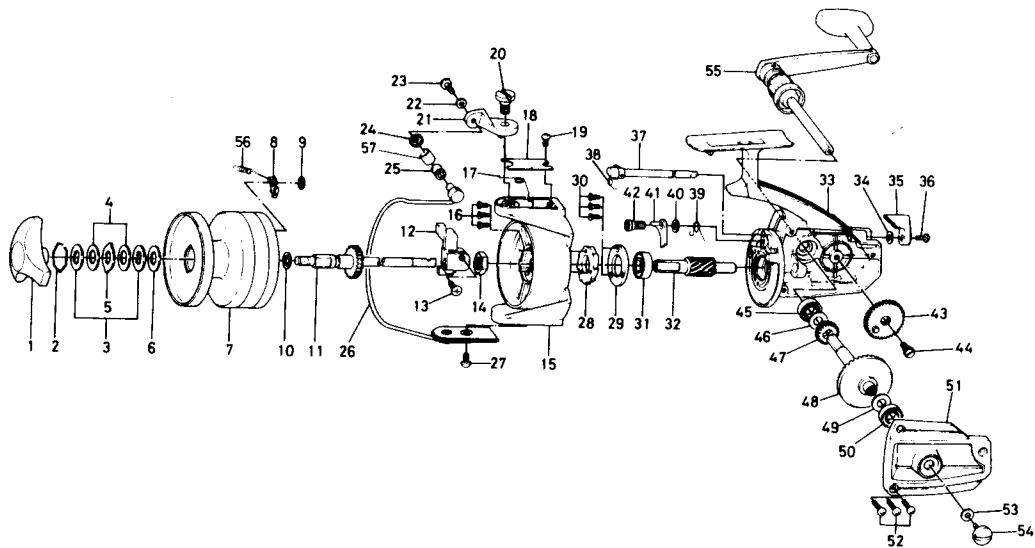


SPINNING REEL 7000C



KEY NO. 2 ~ 9, 56
6-B18-0300

SPOOL ASSEMBLY

Key No.	Parts No.	Parts Name	Key No.	Parts No.	Parts Name
1	000-8237	Drag knob	29	633-1101	Ball bearing ret. washer
2	170-4101	Drag washer retainer	30	351-8901	Ball bearing ret. washer screw
3	372-3711	Drag D washer	31	635-5001	Ball bearing
4	372-6504	Disc washer	32	401-6401	Pinion gear
5	372-3832	Drag A washer	33	700-1412	Body
6	372-3003	Drag washer A	34	372-9911	Anti-reverse lever washer
7	B18-0101	Spool	35	540-8201	Anti-reverse lever
8	B07-8201	Spool click claw	36	351-1801	Anti-reverse lever screw
9	320-1402	Spool click claw retainer	37	710-1821	Anti-reverse cam
10	372-9601	Spool washer	38	142-3511	Anti-reverse cam spring
11	710-6221	Main shaft	39	142-3421	Anti-reverse claw spring
12	480-7601	Oscillating slider	40	373-2701	Anti-reverse claw washer
13	351-9001	Oscillating slider screw	41	110-9501	Anti-reverse claw
14	B10-5701	Rotor nut	42	362-4211	Anti-reverse claw screw
15	201-2004	Rotor	43	750-0411	Oscillating gear
16	351-8901	Ratchet screw	44	361-9011	Oscillating gear screw
17	144-2201	Bail spring	45	636-6011	Ball bearing
18	634-6801	Bail spring cover	46	371-2822	Drive gear washer A
19	351-6101	Bail spring cover screw	47	401-6501	Oscillating pinion
20	361-7011	Arm lever screw	48	412-3211	Drive gear
21	231-3001	Arm lever	49	371-2800	Drive gear washer B
22	375-1101	Bail washer	50	636-6011	Ball bearing
23	363-3111	Bail screw	51	705-1410	Body cover
24	501-2001	Roller collar	52	351-8801	Body cover screw
25	250-4501	Line roller	53	372-3501	Handle washer
26	720-0213	Bail	54	361-2211	Handle screw
27	351-6401	Bail holder screw	55	746-8901	Handle
28	280-4001	Ratchet	56	145-2101	Spool click claw spring
			57	502-1401	Roller metal