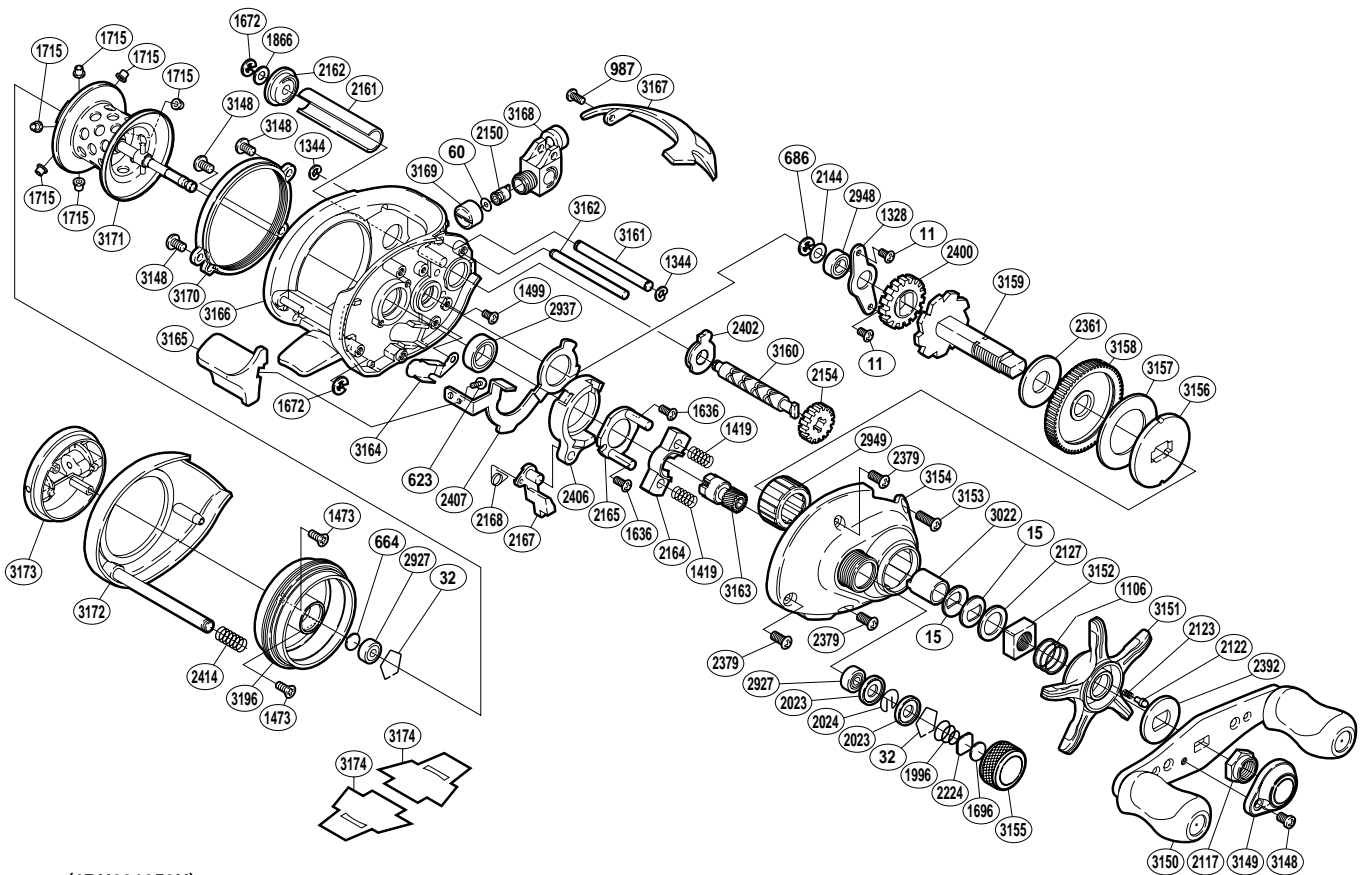


## CHRONARCH

## CH-50MG



(1RH291053U)

Part No.	Description	Part No.	Description	Part No.	Description
BNT0011	Screw	BNT2144	Washer	BNT3151	Star Drag
BNT0015	Drag Spring Washer	BNT2150	Line Guide Pawl	BNT3152	Star Drag Nut
BNT0032	Bearing Retainer	BNT2154	Idle Gear C	BNT3153	Screw
BNT0060	Spacer	BNT2161	Level Wind Guard	BNT3154	Right Side Plate
BNT0623	Screw	BNT2162	Worm Bushing B	BNT3155	Cast Control Cap
BNT0664	Spacer B	BNT2164	Yoke	BNT3156	Key Washer
BNT0686	E Lock	BNT2165	Clutch Cam Retainer	BNT3157	Drag Washer C
BNT0987	Screw	BNT2167	Clutch Pawl	BNT3158	Drive Gear
BNT1106	Star Drag Spring	BNT2168	Clutch Pawl Spring	BNT3159	Drive Shaft
BNT1328	Drive Shaft Retainer	BNT2224	Spool Tension Spacer A	BNT3160	Worm Shaft
BNT1344	C Lock	BNT2361	Drag Washer A	BNT3161	Line Guard
BNT1419	Yoke Spring	BNT2379	Screw	BNT3162	Stabilizer Bar
BNT1473	Screw	BNT2392	Star Drag Click Plate	BNT3163	Pinion Gear
BNT1499	Screw	BNT2400	Idle Gear A	BNT3164	Clutch Guard
BNT1636	Screw	BNT2402	Worm Bushing A	BNT3165	Quick-Fire II Clutch Bar
BNT1672	E Lock	BNT2406	Clutch Cam	BNT3166	One-Piece Frame
BNT1696	Cast Control Spacer B	BNT2407	Clutch Plate	BNT3167	Thumb Rest
BNT1715	Brake Collar (red)	BNT2414	Left Side Plate Spring	BNT3168	Line Guide
BNT1866	Spacer	BNT2927	Ball Bearing	BNT3169	Pawl Cap
BNT1996	Spool Tension Spring	BNT2937	Ball Bearing	BNT3170	Left Side Frame Plate
BNT2023	Spool Shaft Clip Holder	BNT2948	Ball Bearing	BNT3171	Spool Assembly
BNT2024	Spool Shaft Clip	BNT2949	Roller Clutch Bearing	BNT3172	Left Side Plate
BNT2117	Handle Nut	BNT3022	Roller Clutch Inner Tube	BNT3173	Turnkey Dial
BNT2122	Click Pin	BNT3148	Screw	BNT3196	Brake Case
BNT2123	Click Spring	BNT3149	Handle Nut Plate		
BNT2127	Star Drag Spacer	BNT3150	Handle Assembly	BNT3174	Reel Seat Spacer