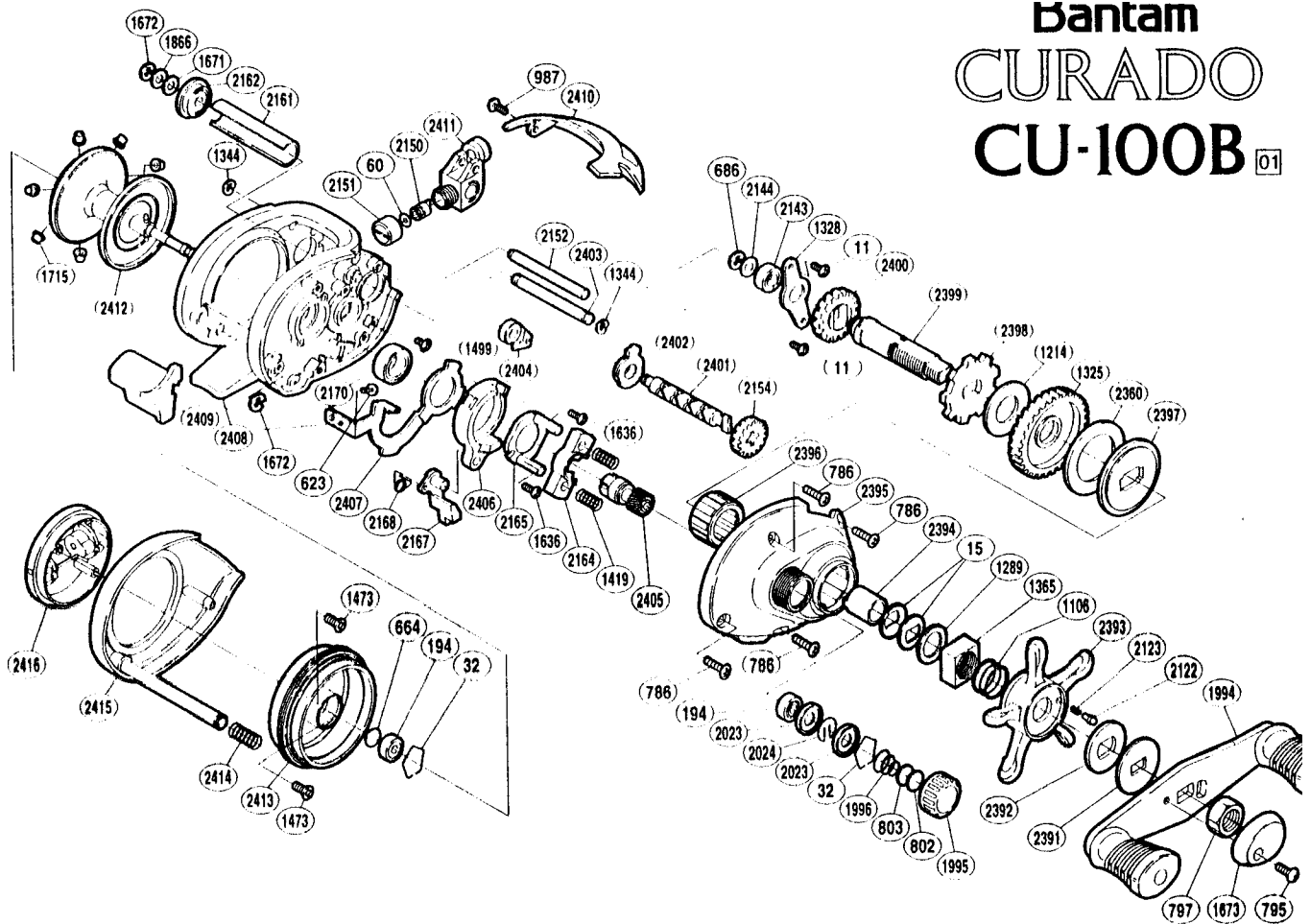


# Bantam CURADO CU-100B 01



BNT No.	PARTS NAMES	BNT No.	PARTS NAMES	BNT No.	PARTS NAMES
0011	Drive Shaft Retainer Screw	1672	"E" Lock	2392	Star Drag Click Plate
0015	Drag Spring Washer	1673	Handle Nut Plate	2393	Star Drag
0032	Bearing Retainer	1715	Brake Collar (red)	2394	Roller Clutch Inner Tube
0060	Spacer (optional)	1866	Spacer	2395	Right Side Plate
0194	Ball Bearing	1994	Handle Assembly	2396	Roller Clutch Bearing
0623	Clutch Bar Screw	1995	Cast Control Cap	2397	Key Washer
0664	Spacer (B)	1996	Spool Tension Spring	2398	Anti-Reverse Ratchet
0686	"E" Lock	2023	Spool Shaft Clip Holder	2399	Drive Shaft
0786	Right Side Plate Screw	2024	Spool Shaft Clip	2400	Idle Gear (A)
0795	Handle Nut Plate Screw	2122	Click Pin	2401	Worm Shaft
0797	Handle Nut	2123	Click Spring	2402	Worm Bushing (A)
0802	Spool Tension Spacer (B)	2143	Ball Bearing	2403	Line Guard
0803	Spool Tension Spacer (A)	2144	Drive Shaft Washer	2404	Anti-Reverse Pawl
0987	Thumb Rest Screw	2150	Line Guide Pawl	2405	Pinion Gear
1106	Star Drag Spring	2151	Pawl Cap	2406	Clutch Cam
1214	Drag Washer (A)	2152	Level Wind Guide	2407	Clutch Plate
1289	Star Drag Spacer	2154	Idle Gear (C)	2408	One-Piece Frame
1325	Drive Gear	2161	Level Wind Guard	2409	Quick-Fire II Clutch Bar
1328	Drive Shaft Retainer	2162	Worm Bushing (B)	2410	Thumb Rest
1344	"C" Lock	2164	Yoke	2411	Line Guide
1365	Star Drag Nut	2165	Clutch Cam Retainer	2412	Spool Assembly
1419	Yoke Spring	2167	Clutch Pawl	2413	Brake Case
1473	Brake Case Screw	2168	Clutch Pawl Spring	2414	Left Side Plate Spring
1499	Clutch Plate Screw	2170	Ball Bearing	2415	Left Side Plate
1636	Clutch Cam Screw	2360	Drag Washer (C)	2416	Turnkey Dial
1671	Worm Shaft Washer (B)	2391	Friction Washer		